

Twin flap backwater valves for wastewater

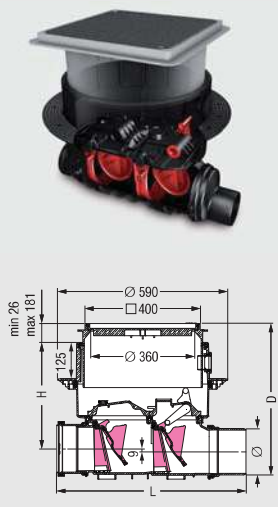





Backwater protection

1

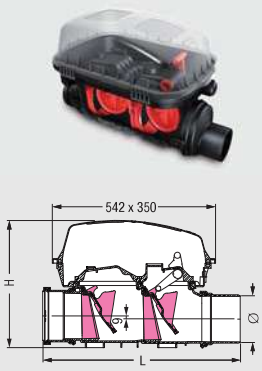



Staufix SWA

Installation in a concrete slab/floor

Illustration and dimensioned drawing	Article description	Outer diameter Ø (mm)	Article #
 <p>Installation area 750 x 750 mm</p>	<p>Twin flap backwater valve <i>Staufix SWA</i> for wastewater made of polymer, with telescopic upper section for continuous height- and level adjustment</p> <p>For installation in a concrete slab/floor for installation depth (D) from 486 - 640 mm</p> <p>1 with recessed cover for on-site tiling (X) 2 with black cover (S)</p> <p>With surface water tight cover plate class A 15 made of polymer. Installation kit with choice of cover.</p> <p>Backwater flap valve according to EN 13564 Type 2 with two self-closing flaps, one of which can be locked by hand as an emergency closure.</p> <p>Ø 110 L: 642 mm H: 394 mm Ø 125 L: 645 mm H: 387 mm Ø 160 L: 656 mm H: 370 mm Ø 200 L: 720 mm H: 348 mm</p> <p>  EN 13564 Type 2</p>	<p>1 With recessed cover for on-site tiling Ø 110 Ø 125 Ø 160 Ø 200*</p> <p>2 With black cover Ø 110 Ø 125 Ø 160 Ø 200*</p>	<p>73100.10X 73125.10X 73150.10X 73200.10X</p> <p>73100.10S 73125.10S 73150.10S 73200.10S</p> <p> Accessories: Page 28 - 31</p>

Staufix SWA

Installation in an exposed wastewater pipe

	<p>Twin flap backwater valve <i>Staufix SWA</i> for wastewater made of polymer</p> <p>For installation in an exposed wastewater pipe. With protective cover.</p> <p>Backwater flap valve according to EN 13564 Type 2 with two self-closing flaps, one of which can be locked by hand as an emergency closure.</p> <p>Ø 110 L: 642 mm H: 422 mm Ø 125 L: 645 mm H: 422 mm Ø 160 L: 656 mm H: 422 mm Ø 200 L: 720 mm H: 422 mm</p> <p>  EN 13564 Type 2</p>	<p>Ø 110 Ø 125 Ø 160 Ø 200*</p>	<p>73100.10 73125.10 73150.10 73200.10</p> <p> Accessories: Page 28 - 31</p>
---	--	---	--